

TEMPERATURE SENSOR

T-104Sa

Applications:

Temperature sensor for measurement of liquids, gases in pressure receptacles and pipelines.

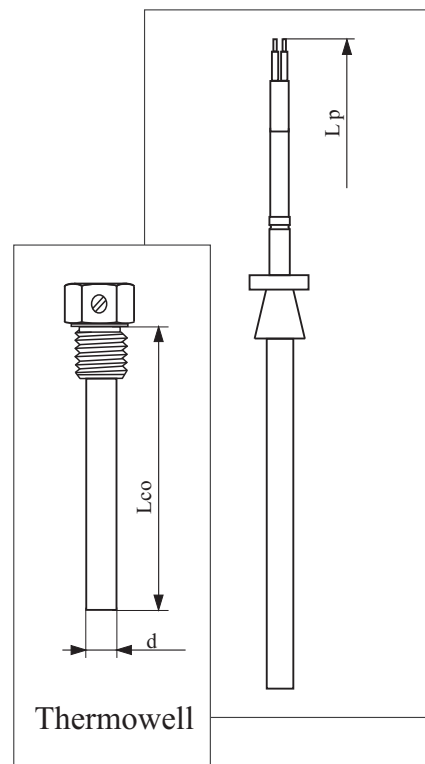
Technical Data

Measuring range	up to 200°C
Resistance element:	Pt100 up to PN-EN 60751+A2 Pt1000, Pt500
Protection tube material	stainless steel 1H18N9T (1.4541)
Thermowell material	stainless steel 1H18N9T (1.4541) brass
Connection line	2, 3 or 4 wire
Connecting cable	insulation teflon-overbraid (standard) others



Ordering code

T	-	104Sa	-		-		-		-		-		-		-		-		
Thermowell dia. d		∅ 10 mm		10															
Thermowell length Lco		100 mm		100															
Cable length Lp		1,5 m		1,5															
Connection line		2-wire, 3-wire, 4-wire		e.g. 2															
Process connection dimensions		G1/2"		G1/2"															
Tolerance		class - A, B, 1/3B		e.g. B															
Measuring insert		Pt100, 2xPt100, others		e.g. Pt100															
Connecting cable		1 - insulation teflon-overbraid		1															
		2 - insulation teflon-silicone																	
		3 - insulation silikon - silikon																	
		others																	



Order example:

T-104Sa-10-100-1,5-2-G1/2"-B-Pt100-1 - sensor of thermowell diameter d=10 mm, length Lco=100 mm, length Lp= 1,5m, 2-wire, with thread G1/2", class B, Pt100, connecting cable insulation teflon-overbraid.